

TYPICAL ELEVATIONS

APPROVAL APPLIES TO SINGLE OR MULTIPLE 'SLIMPACT XL' UNIT INSTALLATIONS

MAX. DESIGN LOAD = + 110 PSF
- 110 PSF

SERIES 'SLIMPACT XL' GLASS WALL SYSTEM

THIS PRODUCT HAS BEEN DESIGNED AND TESTED TO COMPLY WITH THE REQUIREMENTS OF THE 2017 (6TH EDITION) FLORIDA BUILDING CODE INCLUDING HIGH VELOCITY HURRICANE ZONE (HVHZ).

1BY OR 2BY WOOD BUCKS & BUCK FASTENERS BY OTHERS, MUST BE DESIGNED AND INSTALLED ADEQUATELY TO TRANSFER APPLIED PRODUCT LOADS TO THE BUILDING STRUCTURE.

ANCHORS SHALL BE CORROSION RESISTANT, SPACED AS SHOWN ON DETAILS AND INSTALLED PER MANUF'S INSTRUCTIONS. SPECIFIED EMBEDMENT TO BASE MATERIAL SHALL BE BEYOND WALL DRESSING OR STUCCO.

A LOAD DURATION INCREASE IS USED IN DESIGN OF ANCHORS INTO WOOD ONLY.

ALL SHIMS TO BE HIGH IMPACT, NON-METALLIC AND NON-COMPRESSIBLE.

MATERIALS INCLUDING BUT NOT LIMITED TO STEEL/METAL SCREWS, THAT COME INTO CONTACT WITH OTHER DISSIMILAR MATERIALS SHALL MEET THE REQUIREMENTS OF THE 2017 FLORIDA BLDG. CODE & ADOPTED STANDARDS.

THIS PRODUCT APPROVAL IS GENERIC AND DOES NOT PROVIDE INFORMATION FOR A SITE SPECIFIC PROJECT, i.e. LIFE SAFETY OF THIS PRODUCT, ADEQUACY OF STRUCTURE RECEIVING THIS PRODUCT AND SEALING AROUND OPENING FOR WATER INFILTRATION RESISTANCE ETC.

CONDITIONS NOT SHOWN IN THIS DRAWING ARE TO BE ANALYZED SEPARATELY, AND TO BE REVIEWED BY BUILDING OFFICIAL.

MANUFACTURER'S LABEL SHALL BE LOCATED ON A READILY VISIBLE LOCATION IN ACCORDANCE WITH SECTION 1709.9.3 OF FLORIDA BUILDING CODE. LABELING TO COMPLY WITH SECTION 1709.9.2.

CHART 1

ANCHOR TYPE	ANCHOR SPACING INCHES		
	HEAD	SILL	JAMBS
A	4"	4"	4"
B	8"	8"	8"
C	8"	8"	8"
D	-	-	7 1/2"

CHART 2

DESIGN LOAD CAPACITY - PSF		
D.L.O. WIDTH	D.L.O. HEIGHT	EXT(+). INT.(-)
96"	144"	110
104 3/4"	132"	110
115 1/4"	120"	110
128"	108"	110
164 9/16"	84"	110
192"	72"	110

NOTE: WIDTH AND LENGTH DIMENSIONS CAN BE ORIENTED VERTICALLY OR HORIZONTALLY. NOT TO EXCEED A MAX D.L.O. HEIGHT OF 144" FOR STOREFRONT CONFIGURATION.

FOR SINGLE LITE UNITS:
SEE CHART ON SHEET 2.

FOR MULTIPLE LITES UNIT
MAX. SLIMPACT XL FRAME HEIGHT = 148 1/4 IN.
MAX. GLASS/DLO AREA = 96 SQ FT.

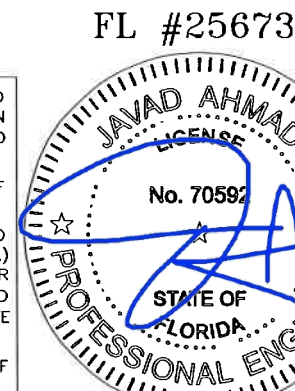
THIS SYSTEM IS RATED FOR LARGE & SMALL MISSILE IMPACT. SHUTTERS ARE NOT REQUIRED.

A- CONTRACTOR TO BE RESPONSIBLE FOR THE SELECTION, PURCHASE AND INSTALLATION OF THIS PRODUCT BASED ON THIS PRODUCT EVALUATION PROVIDED HE/SHE DOES NOT DEVIATE FROM THE CONDITIONS DETAILED ON THIS DOCUMENT.

B- THIS PRODUCT EVALUATION DOCUMENT WILL BE CONSIDERED INVALID IF ALTERED BY ANY MEANS.

C- SITE SPECIFIC PROJECTS SHALL BE PREPARED BY A FLORIDA REGISTERED ENGINEER OR ARCHITECT WHICH WILL BECOME THE ENGINEER OF RECORD (E.O.R.) FOR THE PROJECT AND WHO WILL BE RESPONSIBLE FOR THE PROPER USE OF THE P.E.D. ENGINEER OF RECORD, ACTING AS A DELEGATED ENGINEER TO THE P.E.D. ENGINEER SHALL SUBMIT TO THIS LATTER THE SITE SPECIFIC DRAWINGS FOR REVIEW.

D- THIS P.E.D. SHALL BEAR THE DATE AND ORIGINAL SEAL AND SIGNATURE OF THE PROFESSIONAL ENGINEER OF RECORD THAT PREPARED IT.

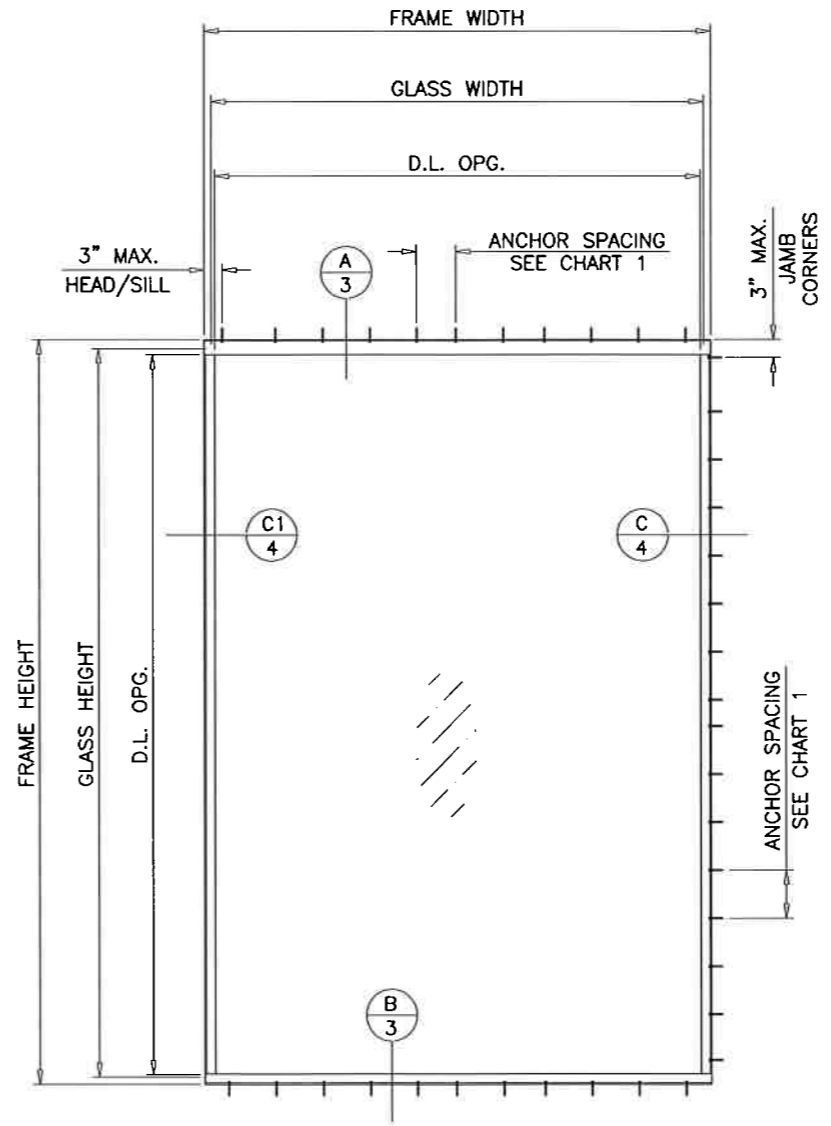


AL-FAROOQ CORPORATION
ENGINEERS & PRODUCT DEVELOPMENT
9360 SUNSET DRIVE, SUITE 220
MIAMI, FLORIDA 33173
TEL. (305) 264-8100 FAX. (305) 262-6978
COMP-ANL\W17-104FGT

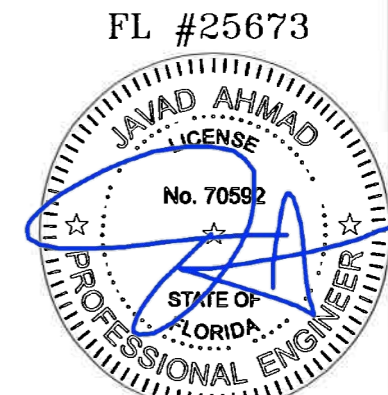
SERIES 'SLIMPACT XL' SSG GLASS WALL SYSTEM(L.M.I.)
Faour Glass Technologies
5119 West Knox Street
Tampa, FL. 33634
Tel. (813) 884-3297 Fax. (-)

revisions:	no	date	description
	A	12.12.18	GENERAL REV.
date:	01-31-18		
scale:	3/8"=1'-0"		
dr. by:	MLS		
chk. by:			
drawing no.	W18-27		
sheet	1 of 5		

DESIGN LOAD CAPACITY - PSF			
D.L.O. DIMS.		1-1/2" OVERALL LAM. GLASS	
WIDTH	HEIGHT	EXT.(+)	INT.(-)
60"	48"	110.0	110.0
72"		110.0	110.0
84"		110.0	110.0
96"		110.0	110.0
120"		110.0	110.0
132"		110.0	110.0
168"		110.0	110.0
228"		110.0	110.0
240"	110.0	110.0	
60"	54"	110.0	110.0
72"		110.0	110.0
84"		110.0	110.0
96"		110.0	110.0
120"		110.0	110.0
132"		110.0	110.0
168"		110.0	110.0
228"		110.0	110.0
240"	110.0	110.0	
60"	60"	110.0	110.0
72"		110.0	110.0
84"		110.0	110.0
96"		110.0	110.0
120"		110.0	110.0
132"		110.0	110.0
144"		110.0	110.0
156"		110.0	110.0
192"	110.0	110.0	
228"	110.0	110.0	
72"	72"	110.0	110.0
84"		110.0	110.0
96"		110.0	110.0
120"		110.0	110.0
144"		110.0	110.0
156"		110.0	110.0
192"	110.0	110.0	
84"	84"	110.0	110.0
96"		110.0	110.0
120"		110.0	110.0
144"		110.0	110.0
156"		110.0	110.0
96"	96"	110.0	110.0
108"		110.0	110.0
120"		110.0	110.0
144"		110.0	110.0
108"	108"	97.8	97.8
120"		97.8	97.8
96"	120"	110.0	110.0
108"		97.8	97.8
84"	144"	110.0	110.0
96"		110.0	110.0



TYPICAL ELEVATIONS



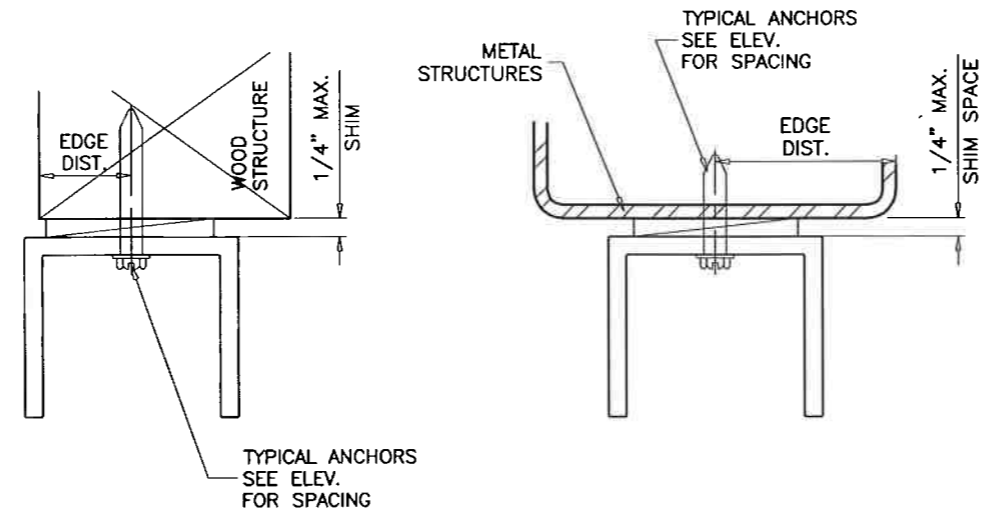
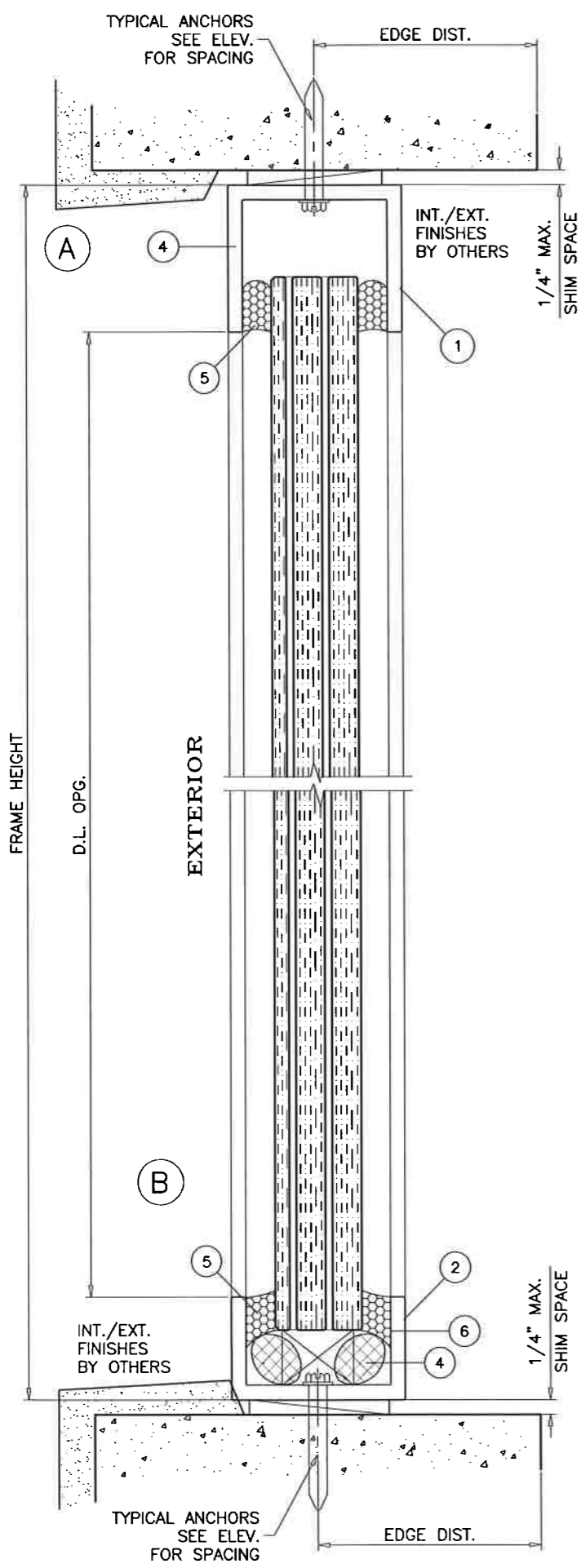
revisions:

no	date	description

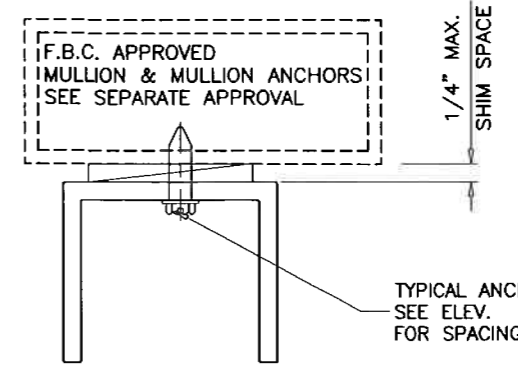
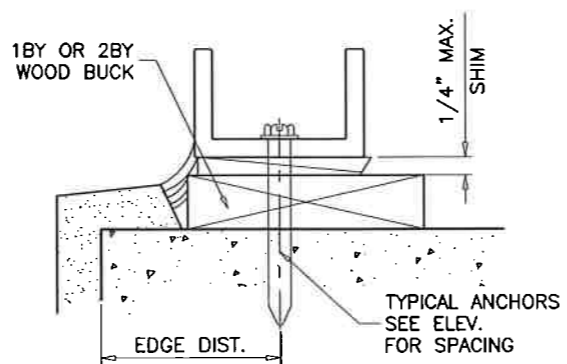
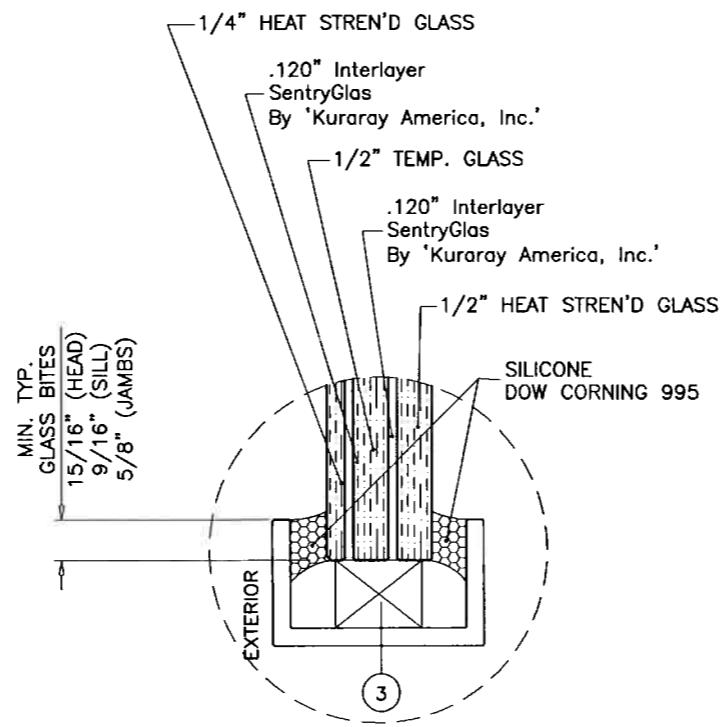
date: 01-31-18
scale: 3/8"=1'-0"
dr. by: MLS
chk. by:
drawing no. W18-27
sheet 2 of 5

AL-FAROOQ CORPORATION
ENGINEERS & PRODUCT DEVELOPMENT
9360 SUNSET DRIVE, SUITE 220
MIAMI, FLORIDA 33173
TEL. (305) 264-8100 FAX. (305) 262-6978
COMP-ANL\W17-104FGT

Faour Glass Technologies
5119 West Knox Street
Tampa, FL. 33634
Tel. (813) 884-3297 Fax. (-)



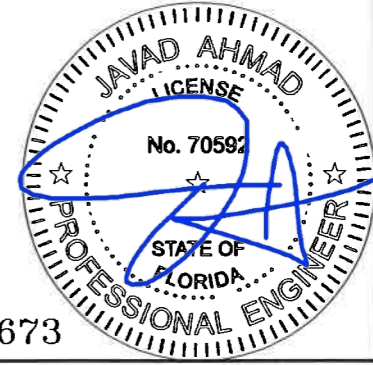
WOOD BUCKS AND METAL STRUCTURE NOT BY FAOUR GLASS MUST SUSTAIN LOADS IMPOSED BY GLAZING SYSTEM AND TRANSFER THEM TO THE BUILDING STRUCTURE.



- TYPICAL ANCHORS:** SEE ELEV. FOR SPACING
- ANCHOR 'A' - 3/8" DIA. LAG SCREWS (Fu=177 KSI, Fy=155 KSI) INTO WOOD STRUCTURES 2-1/4" MIN. PENETRATION INTO WOOD (HEAD/SILL/JAMBS) THRU 1BY OR 2BY BUCKS INTO CONC. OR GROUT FILLED BLOCKS 1-1/2" MIN. EMBED INTO CONCRETE (HEAD/SILL/JAMBS) 1-1/2" MIN. EMBED INTO GROUT FILLED BLOCKS (JAMBS)
 - ANCHOR 'B' - 3/8" DIA. CONFLEX BY 'ELCO' (Fu=177 KSI, Fy=155 KSI) DIRECTLY INTO CONCRETE 3-1/2" MIN. EMBED INTO CONCRETE (HEAD/SILL/JAMBS)
 - ANCHOR 'C' - 3/8" DIA. TAP-FLEX BY 'ELCO' (GRADE 5 CRS) INTO F.B.C. APPROVED MULLIONS OR INTO METAL STRUCTURES (HEAD/SILL/JAMBS) (3) THREADS MIN. PENETRATION BEYOND SUBSTRATE ALUMINUM: 1/8" THK. MIN. (6063-T5 MIN.) STEEL: 1/8" THK. MIN. (Fy = 36 KSI MIN.) (STEEL IN CONTACT WITH ALUMINUM TO BE PLATED OR PAINTED)
 - ANCHOR 'D' - 3/8" DIA. CONFLEX BY 'ELCO' (Fu=177 KSI, Fy=155 KSI) DIRECTLY INTO GROUT FILLED BLOCKS 3-1/2" MIN. EMBED INTO GROUT FILLED BLOCKS (JAMBS)

TYPICAL EDGE DISTANCE
 INTO CONCRETE = 1-7/8" MIN.
 INTO GROUT FILLED BLOCKS = 1-7/8" MIN.
 INTO WOOD STRUCTURE = 1-1/2" MIN.
 INTO METAL STRUCTURE = 3/4" MIN.

WOOD AT HEAD, SILL OR JAMBS SG = 0.55 MIN.
 CONCRETE AT HEAD, SILL OR JAMBS f'c = 3000 PSI MIN.
 C-90 HOLLOW/FILLED BLOCK AT JAMBS f'm = 2000 PSI MIN.



FL #25673

Sealed 12/17/18

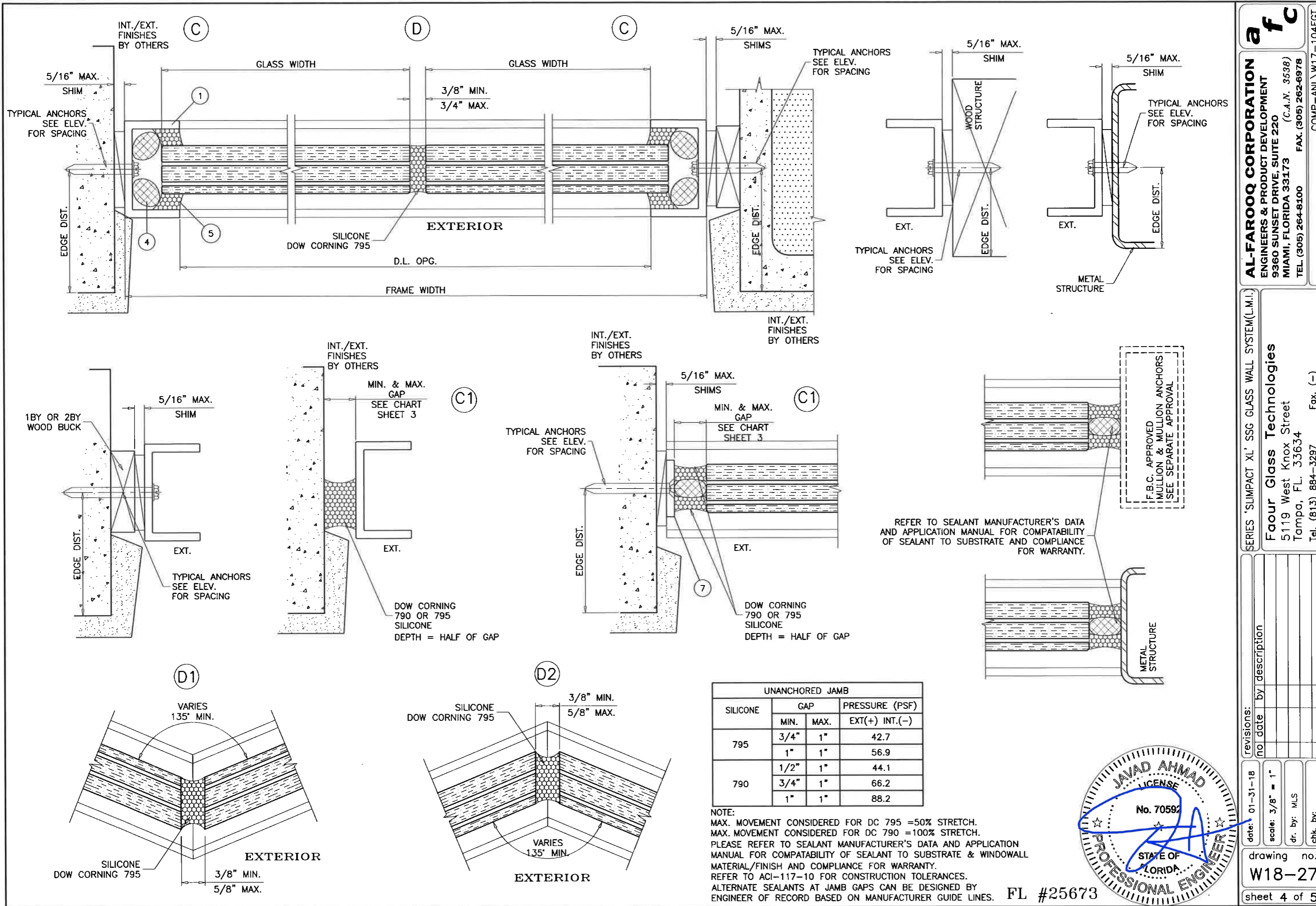
af c
AL-FAROOQ CORPORATION
 ENGINEERS & PRODUCT DEVELOPMENT
 9360 SUNSET DRIVE, SUITE 220 (C.A.N. 3538)
 MIAMI, FLORIDA 33173 FAX (305) 262-6978
 TEL (305) 264-8100 COMP-ANL\W17-104FGT

Faour Glass Technologies
 5119 West Knox Street
 Tampa, FL. 33634
 Tel. (813) 884-3297 Fax. (-)

revisions:
 no. date by description

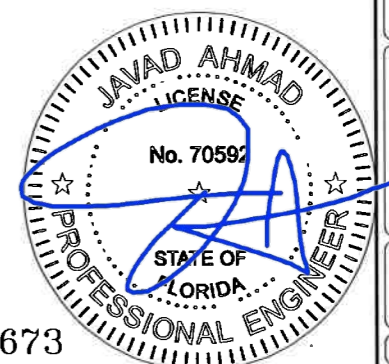
date: 01-31-18
 scale: 3/8" = 1"
 dr. by: MLS
 chg. by:

drawing no. **W18-27**
 sheet 3 of 5



af c
AL-FAROOQ CORPORATION
 ENGINEERS & PRODUCT DEVELOPMENT
 9360 SUNSET DRIVE, SUITE 220
 MIAMI, FLORIDA 33173 (C.A.N. 3538)
 TEL. (305) 264-8100 FAX. (305) 262-6978
 COMP-ANL\W17-104FGT

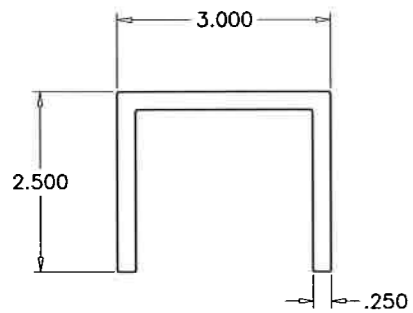
SERIES 'SLIMPACT XL' SSG GLASS WALL SYSTEM(L.M.I.)
Faour Glass Technologies
 5119 West Knox Street
 Tampa, FL. 33634
 Tel. (813) 884-3297 Fax. (-)



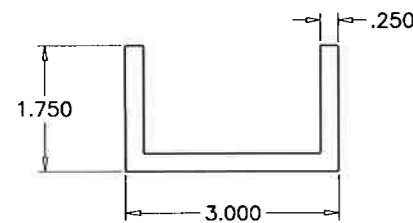
revisions:	no.	date	description

date: 01-31-18
 scale: 3/8" = 1"
 dr. by: MLS
 chk. by:

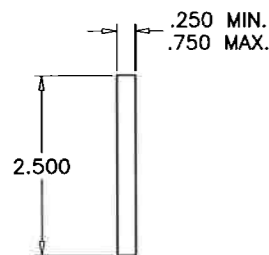
drawing no. **W18-27**
 sheet 4 of 5



1 TOP CHANNEL

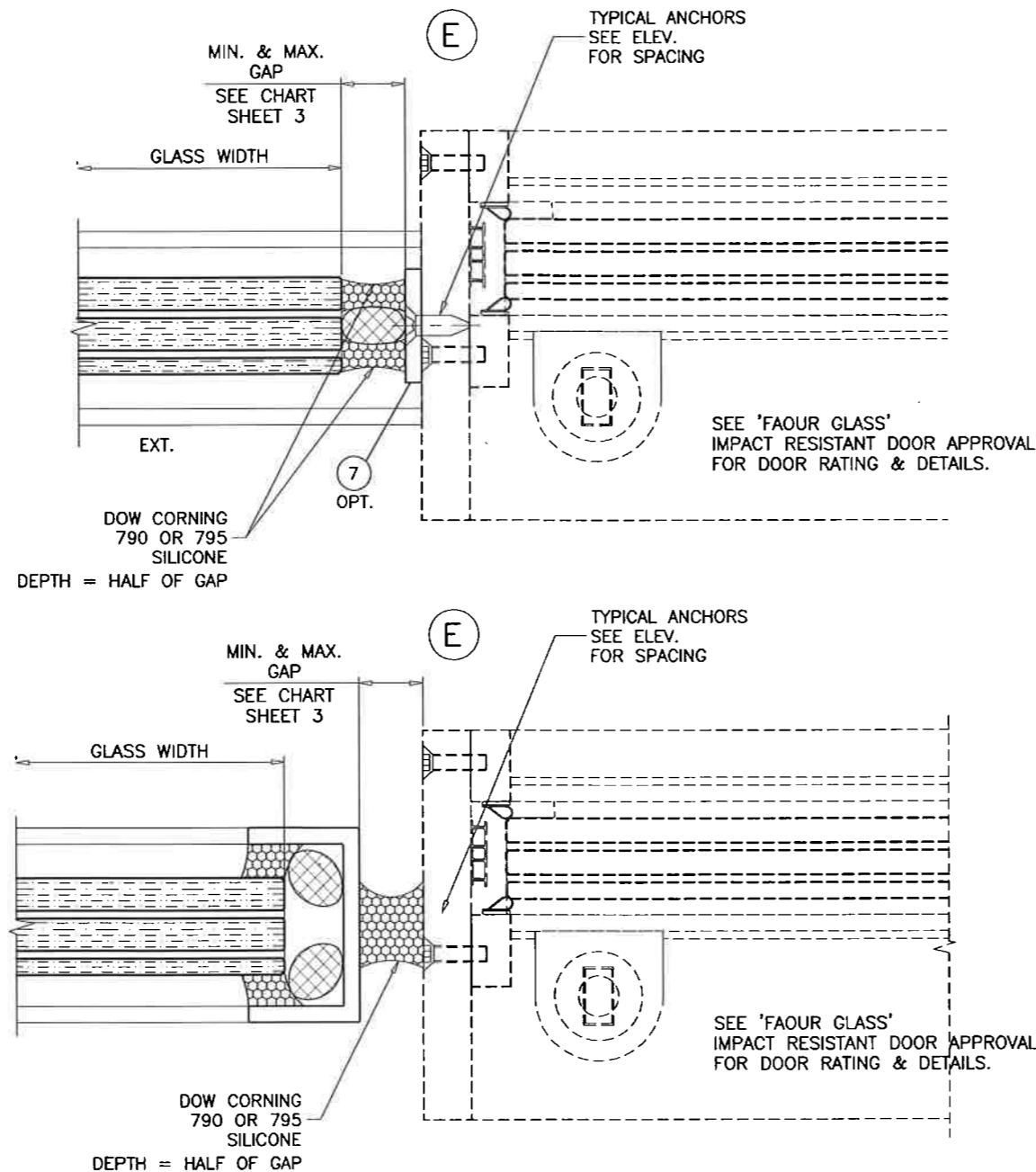


2 SIDE/BOTTOM CHANNEL



7 JAMB BAR (OPTIONAL)

ITEM #	PART #	REQD.	DESCRIPTION	MATERIAL	MANF./SUPPLIER/REMARKS
1	-	AS REQD.	TOP CHANNEL	6063-T6	-
2	-	AS REQD.	SIDE/BOTTOM CHANNEL	6063-T4	-
3	-	2/ LITE	SETTING BLOCKS AT 1/4 POINTS	EPDM	DUROMETER 80±5 SHORE A
4	-	AS REQD.	5/8" DIA. BACKER ROD	FOAM	-
5	995	AS REQD.	GLAZING COMPOUND	SILICONE	DOW CORNING
6	123	AS REQD.	SEAL TAPE	SILICONE	DOW CORNING
7	-	AS REQD.	JAMB BAR (OPTIONAL)	6063-T4	-

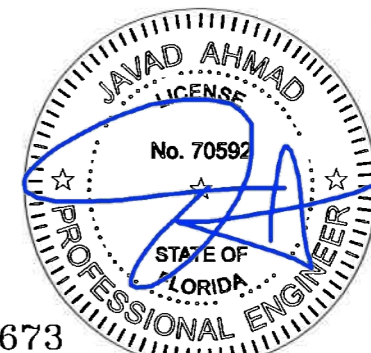


SEALANT:

ALL FRAME JOINTS SQUARE-CUT AND BUTTED, SEALED WITH DOW CORNING 123 SILICONE SEAL TAPE.

SEE SEPARATE APPROVAL FOR DOOR HEIGHT AND DESIGN LOAD CAPACITY OF DOOR AND DOOR ANCHORS.

LOWER VALUES FROM DOOR APPROVAL OR GLASS WALL SYSTEM CAPACITY WILL APPLY TO ENTIRE SYSTEM.



FL #25673

afC
AL-FAROOQ CORPORATION
 ENGINEERS & PRODUCT DEVELOPMENT
 9360 SUNSET DRIVE, SUITE 220
 MIAMI, FLORIDA 33173 (C.A.N. 3538)
 TEL. (305) 264-8100 FAX. (305) 262-6978
 COMP-ANL\W17-104FGT

SERIES 'SLIMPACT XL' SSG GLASS WALL SYSTEM(L.M.I.)
Faour Glass Technologies
 5119 West Knox Street
 Tampa, FL. 33634
 Tel. (813) 884-3297 Fax. (-)

revisions:	no	date	by	description

date: 01-08-18
 scale: 3/8" = 1"
 dr. by: MLS
 chk. by:

drawing no.
W18-27
 sheet 5 of 5